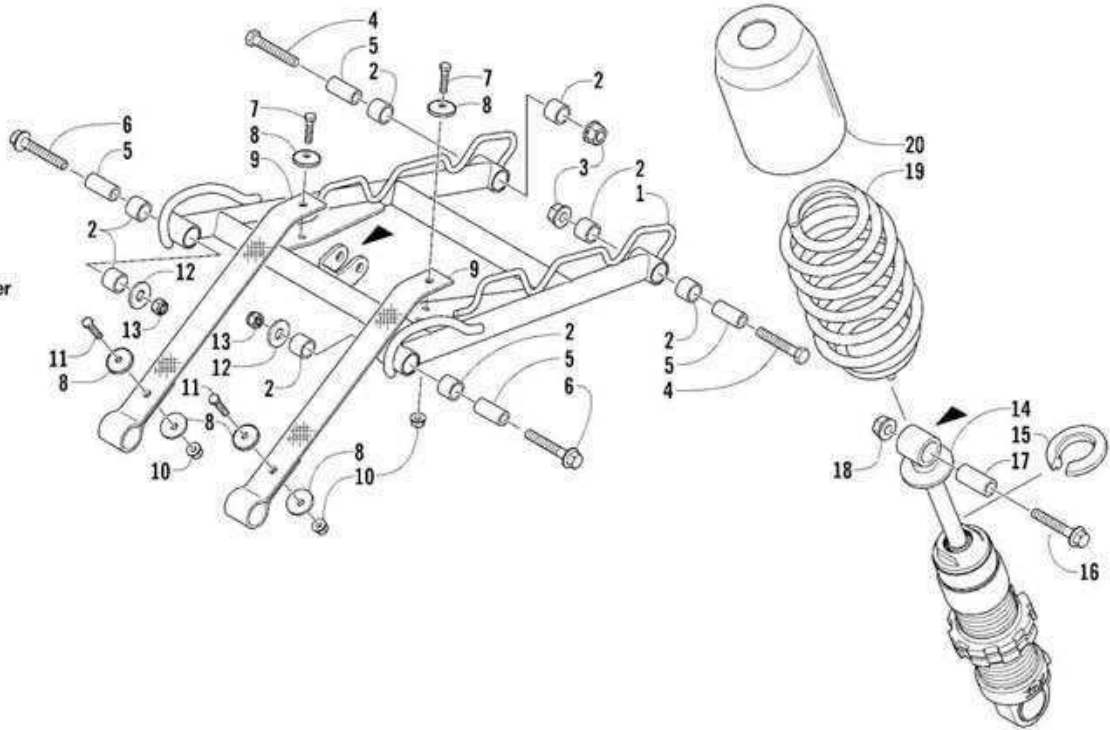


**KEY**

1. Front Arm
2. Bushing
3. Lock Nut
4. Cap Screw
5. Spacer
6. Cap Screw
7. Cap Screw
8. Washer
9. Limiter Strap
10. Lock Nut
11. Cap Screw
12. Washer
13. Lock Nut
14. Shock Absorber
15. Retainer
16. Cap Screw
17. Axle
18. Lock Nut
19. Spring
20. Cover

**Style E**

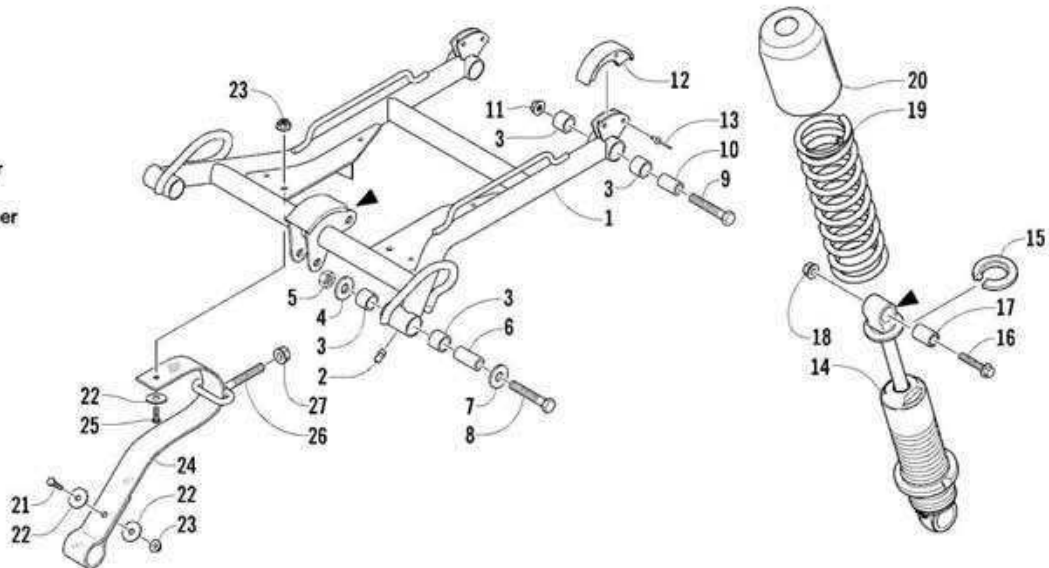


0739-860

**KEY**

1. Front Arm
2. Grease Fitting
3. Bushing
4. Washer
5. Lock Nut
6. Axle
7. Washer
8. Cap Screw
9. Cap Screw
10. Spacer
11. Lock Nut
12. Guide Bumper
13. Rivet
14. Shock Absorber
15. Retainer
16. Cap Screw
17. Axle
18. Lock Nut
19. Spring
20. Shock Cover
21. Cap Screw
22. Washer
23. Lock Nut
24. Limiter Strap
25. Cap Screw
26. Adjuster
27. Lock Nut

**Style F**



0739-607