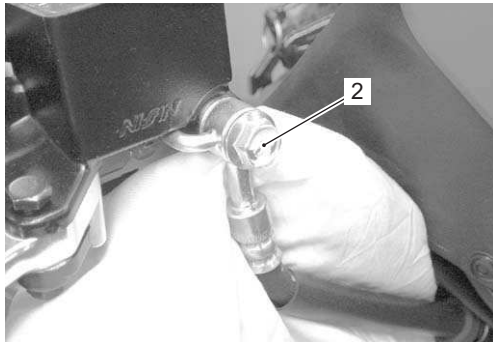
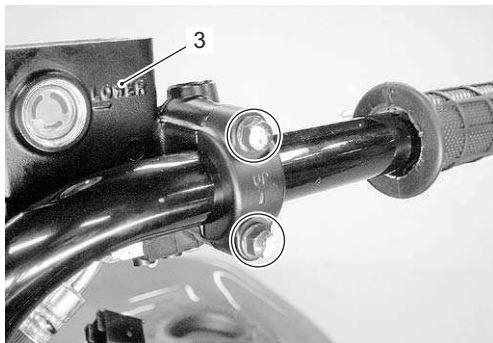


- 4) Place a rag underneath the brake hose union bolt (2) on the master cylinder to catch any spilt brake fluid.
- 5) Remove the brake hose union bolt (2) and disconnect the brake hose.



I831G1410021-01

- 6) Remove the master cylinder assembly (3).



I831G1410022-01

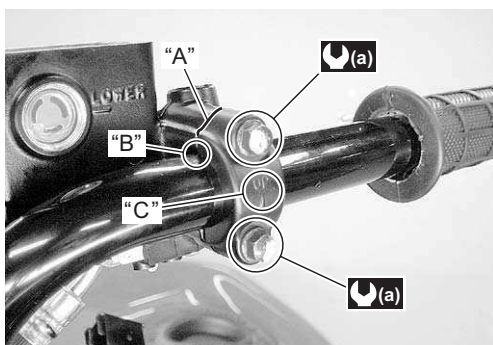
Installation

Install the front brake master cylinder in the reverse order of removal. Pay attention to the following points:

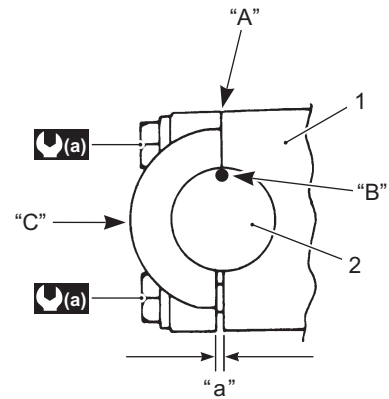
- When installing the master cylinder (1) onto the handlebars (2), align the master cylinder holder's mating surface "A" with the punch mark "B" on the handlebars (2) and tighten the upper holder bolt first. Refer to "Steering / Handlebars Assembly Construction in Section 6B (Page 6B-2)".

Tightening torque

Master cylinder holder bolt (Upper and Lower)
(a): 10 N·m (1.0 kgf·m, 7.0 lb-ft)



I831G1410023-02



I831G1410024-02

"C": Up mark	"a": Clearance
--------------	----------------

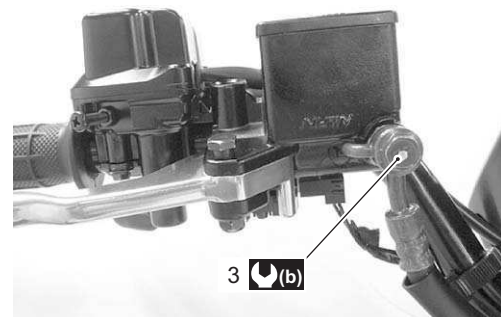
- Set the brake hose union as shown in the front brake hose routing diagram. Refer to "Front Brake Hose Routing Diagram (Page 4A-1)".
- After setting the brake hose union to the stopper, tighten the union bolt (3) to the specified torque.

⚠ CAUTION

The seal washers should be replaced with the new ones to prevent fluid leakage.

Tightening torque

Brake hose union bolt (b): 23 N·m (2.3 kgf·m, 16.5 lb-ft)



I831G1410025-02

- Install the throttle case assembly. Refer to "Handlebars Removal and Installation in Section 6B (Page 6B-3)".
- Bleed air from the brake system. Refer to "Air Bleeding from Front Brake Fluid Circuit (Page 4A-5)".