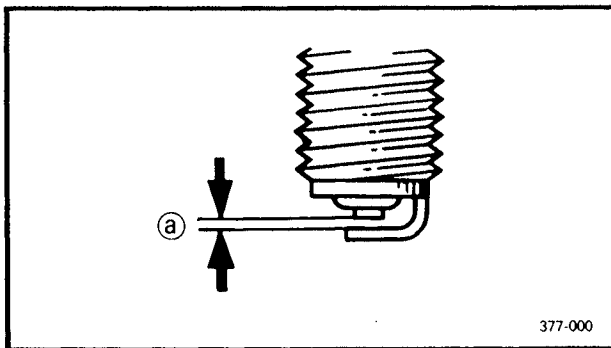
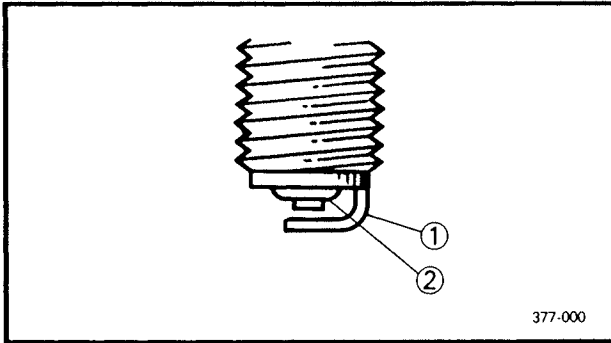


- For proper throttle lever operation do not turn out the adjuster more than 12 mm (0.47 in). Also, always adjust the throttle lever free play to 3 ~ 5 mm (0.12 ~ 0.20 in).


SPARK PLUG INSPECTION


1. Remove:
 - Spark plug
2. Inspect:
 - Spark plug type
Incorrect → Replace.

Standard spark plug: for USA DP8EA-9/NGK for Canada DPR8EA-9/NGK



3. Inspect:
 - Electrode ①
Wear/damage → Replace.
 - Insulator ②
Abnormal color → Replace.
Normal color is a medium-to-light tan color.
4. Clean the spark plug with a spark plug cleaner or wire brush.
5. Measure:
 - Plug gap ③
Use a wire gauge or feeler gauge.
Out of specification → Regap.

	Spark plug gap: 0.8 ~ 0.9 mm (0.031 ~ 0.035 in)
---	---

6. Tighten:
 - Spark plug  18 Nm (1.8 m · kg, 13 ft · lb)

NOTE: _____
Before installing a spark plug, clean the gasket surface and plug surface.