

## CHECKING THE FRONT BRAKE DISC

1. Check:

- Brake disc  
Galling/damage → Replace.

2. Measure:

- Brake disc deflection  
Out of specification → Check the wheel runout.  
If wheel runout is within the limits, replace the brake disc.

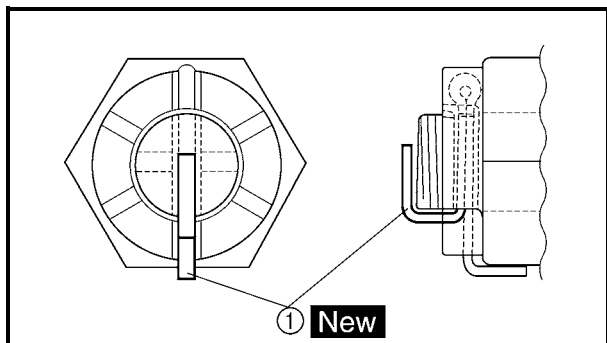


**Brake disc maximum deflection:**  
0.15 mm (0.006 in)

- Brake disc thickness @  
Out of specification → Replace.



**Brake disc minimum thickness:**  
3 mm (0.12 in)



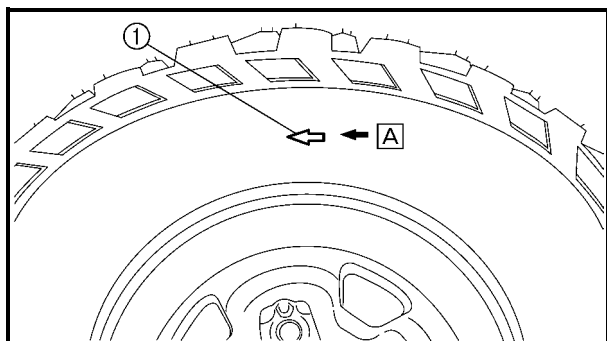
## INSTALLING THE FRONT WHEEL HUB

1. Install:

- Axle nut  200 Nm (20.0 m • kg, 145 ft • lb)
- Cotter pin ① **New**

**NOTE:**

- Do not apply oil to the seat of the nut.
- Do not loosen the axle nut after torquing it. If the axle nut groove is not aligned with the cotter pin hole, align the groove with the hole by tightening the axle nut.



## INSTALLING THE FRONT WHEEL

1. Install:

- Wheel

**NOTE:**

The arrow mark ① on the tire must point in the direction of rotation A of the wheel.