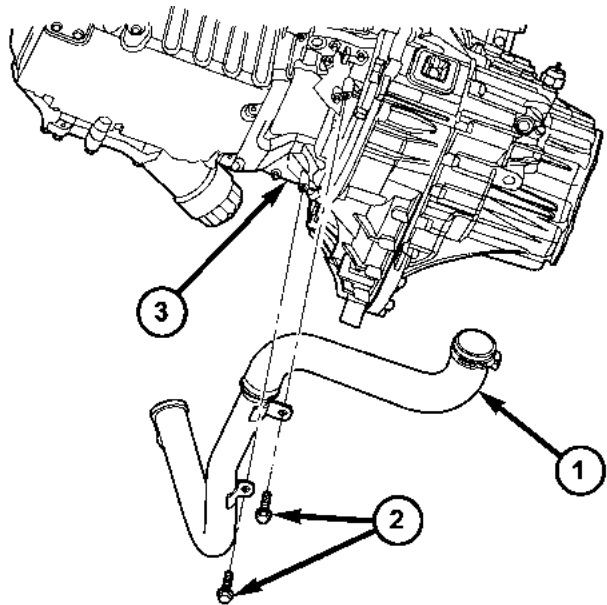


G288 MANUAL TRANSAXLE (Continued)

(14) Remove two (2) intercooler connector pipe-to-engine oil pan bolts (Fig. 34) and position aside to access and remove oil pan-to-bellhousing bolt.

(15) Position screw jack and wood block to engine oil pan.

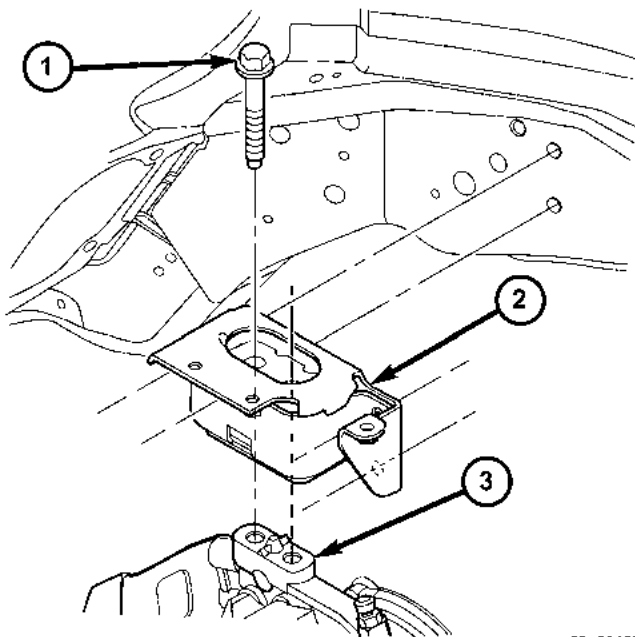
(16) Obtain access to engine compartment. Remove two (2) transaxle upper mount-to-bracket bolts (Fig. 35).



80e563dd

Fig. 34 Intercooler Inlet Hose Fasteners

- 1 - INTERCOOLER INLET HOSE
- 2 - SCREW (2)
- 3 - STRUCTURAL COLLAR

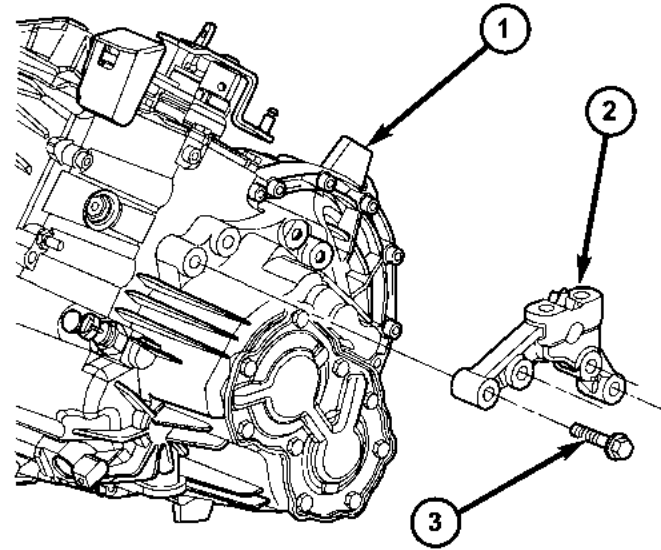


80e56402

Fig. 35 Upper Mount-to-Bracket

- 1 - BOLT (2)
- 2 - MOUNT
- 3 - BRACKET

(17) Lower engine/transaxle assembly on screw jack.
 (18) Remove transaxle upper mount bracket (Fig. 36).



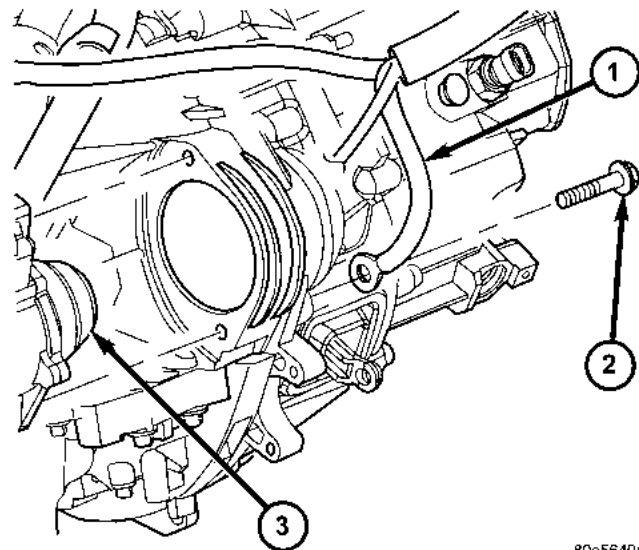
80e56406

Fig. 36 Transaxle Upper Mount Bracket

- 1 - TRANSAXLE
- 2 - BRACKET
- 3 - BOLT

(19) Position transmission jack to transaxle. Secure transaxle to jack.

(20) Remove starter lower bolt with ground cable (Fig. 37).



80e5640a

Fig. 37 Starter Bolt and Ground Cable

- 1 - GROUND CABLE
- 2 - BOLT
- 3 - STARTER MOTOR