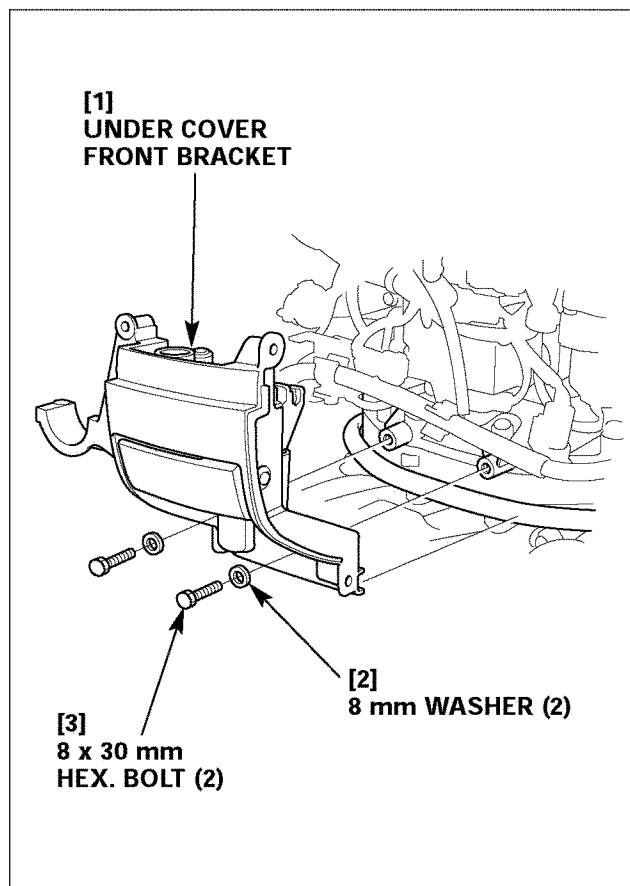
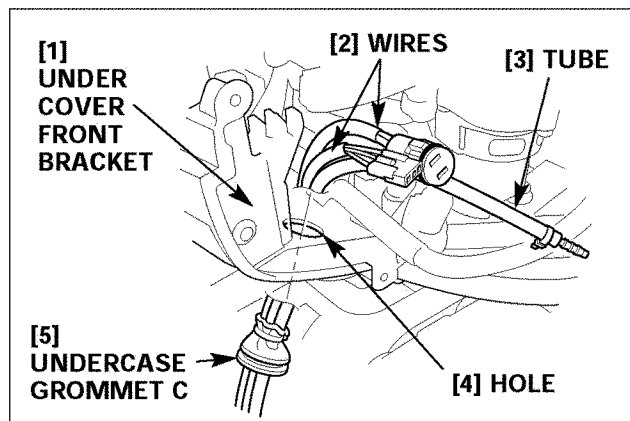


- 3) Install the under cover front bracket securely with the two 8 x 30 mm hex. bolts and the two 8 mm washers.



- 4) Pass the tube and the wires through the hole in the under cover front bracket.



- 5) Connect the trim angle sensor 3P connector and the power tilt motor 2P connector. Install the power tilt motor 2P connector on the lower side of the connector bracket A and the trim angle sensor 3P connector on the upper side of the connector bracket A.

