

Figure 1-1. Starboard Side, Starflite

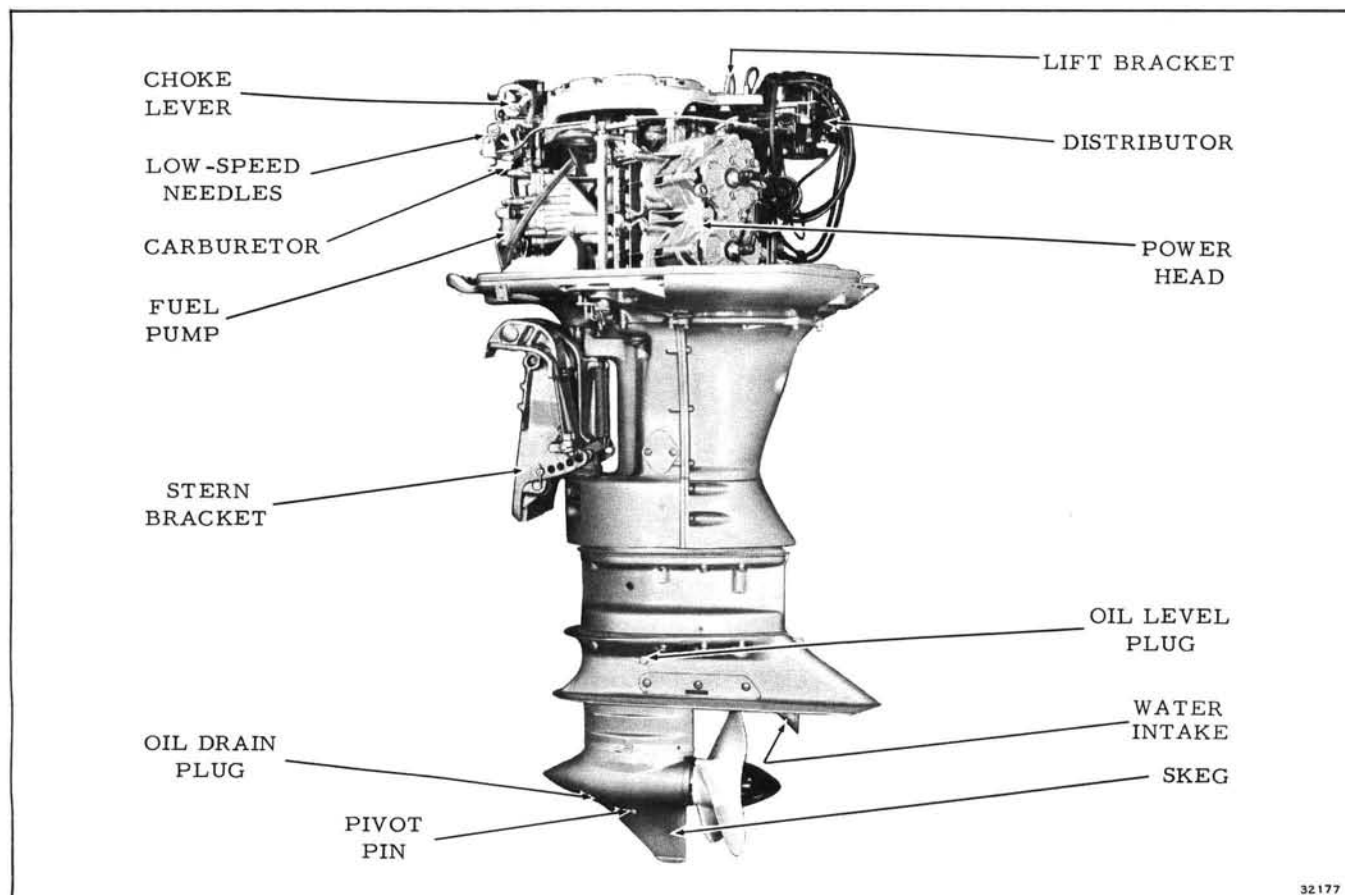


Figure 1-2. Port Side, Speedifour