

LUBRICATION POINTS



Figure 2-6. Starter Pinion Gear Shaft

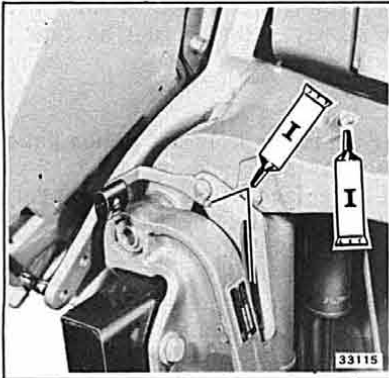


Figure 2-5. Swivel Bracket Fitting and Port Side Tilt Lever

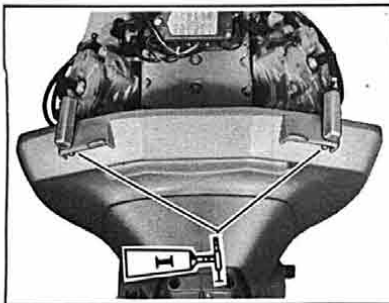


Figure 2-4. Aft Motor Cover Latch Lever Shafts (2)

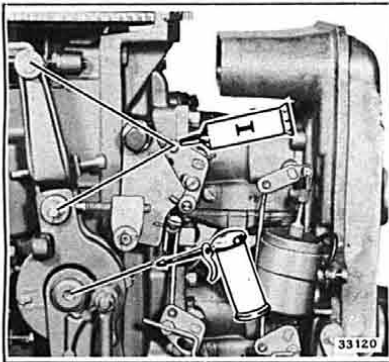


Figure 2-3. Control Lever and Shaft Bearings

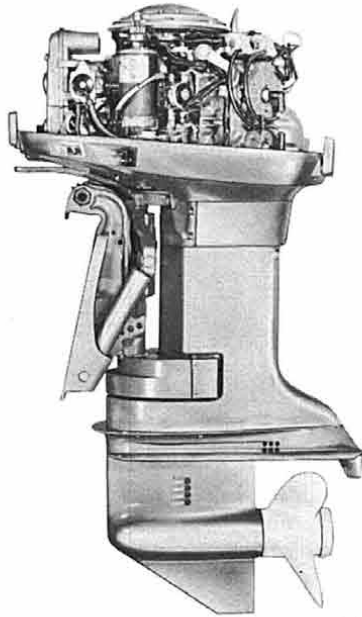


Figure 2-2. Port Side

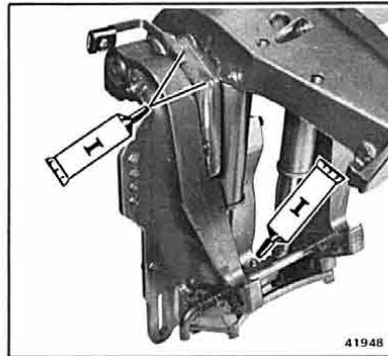


Figure 2-11. Trailering Lock Arm

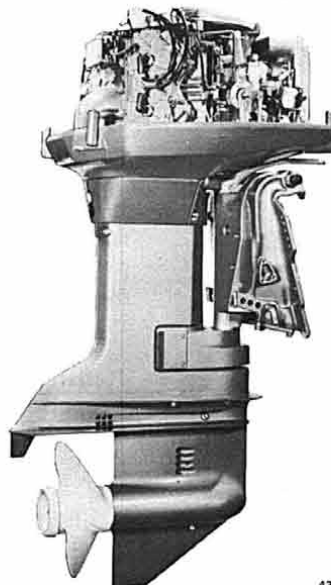


Figure 2-1. Starboard Side

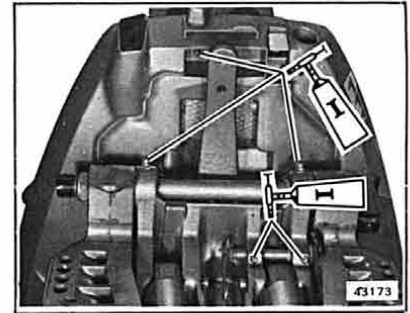


Figure 2-7. Tilt Lever Shaft, Tilt Tube and Front Cover Latch Lever Shaft

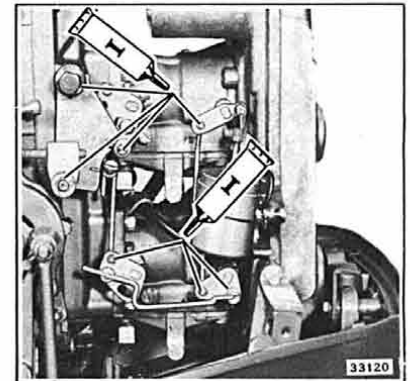


Figure 2-8. Carburetor Linkage

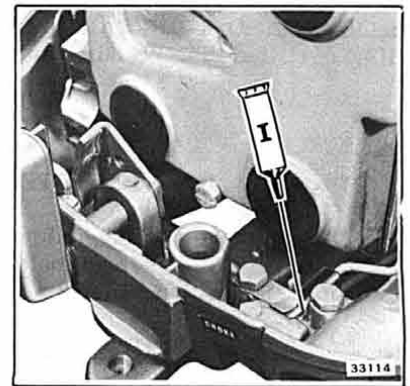


Figure 2-9. Choke Shaft



Figure 2-10. Gearcase