

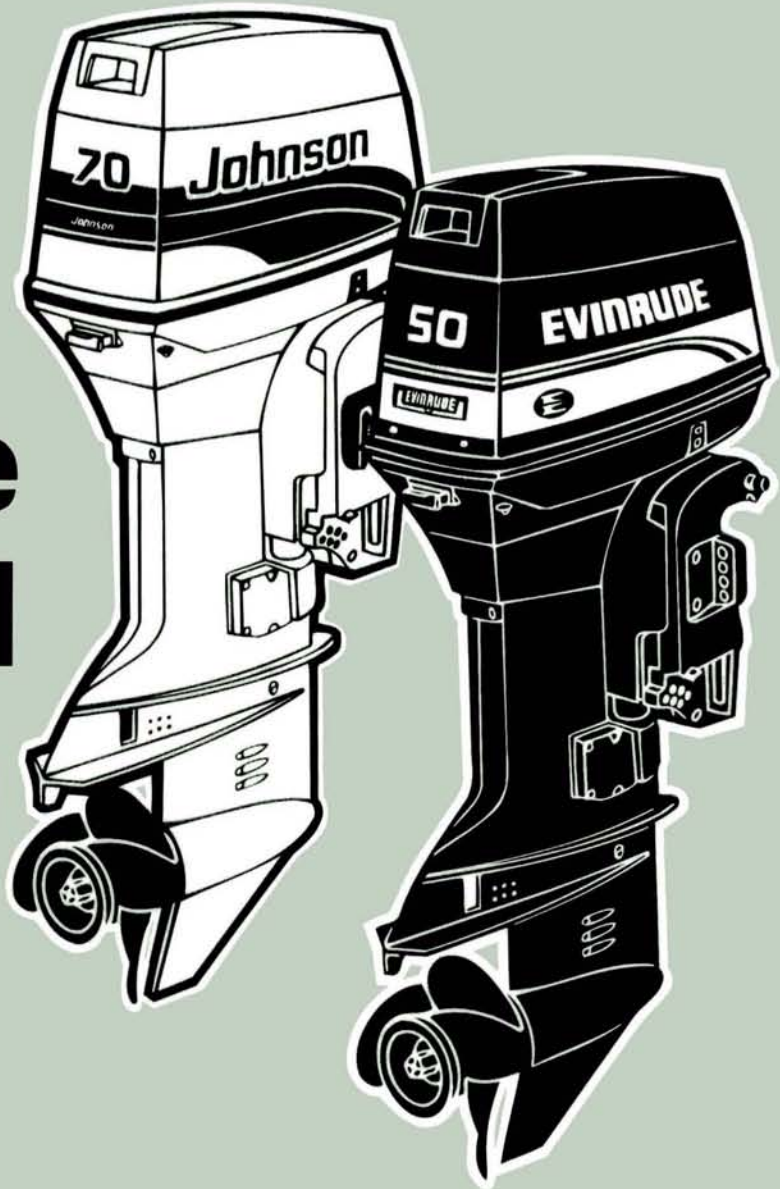


Johnson[®]

OUTBOARDS

Service Manual

50 thru 70
3-Cylinder



EVINRUDE[®]

OUTBOARDS